

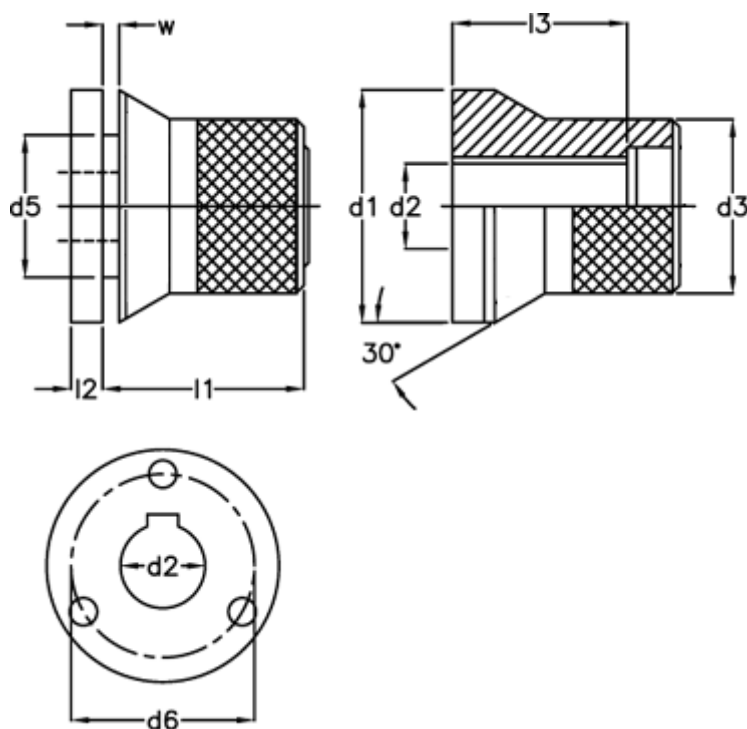
# Data Sheet



Article number: 20610230

Description: E+G indexing mechanism  
GN 200-52-K16-A

## Measures



d1 = 52  
d2 = K16  
d3 = 42  
d5 = 31.5  
d6 = 41.8  
l1 = 37.5  
l2 = 6  
l3 = 31.5

W = 4